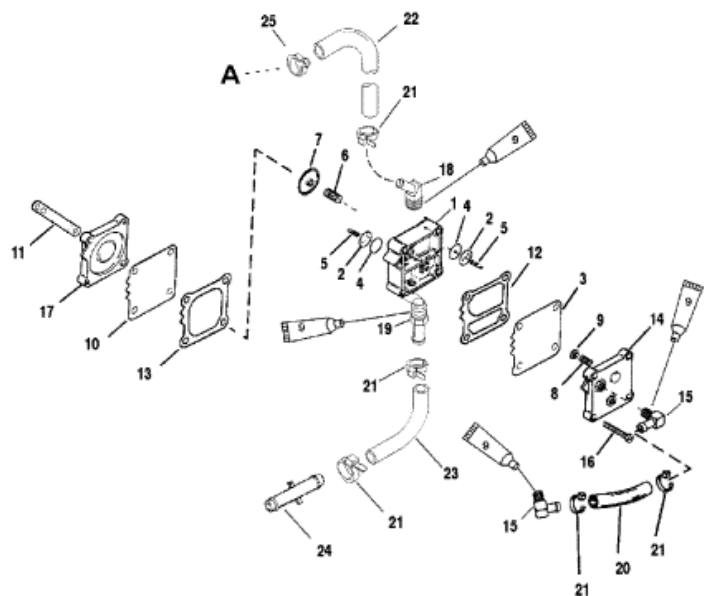


Parts List



Locite PST Pipe Sealant (92-809822)

A = TO VAPOR SEPARATOR FUEL INLET FITTING

Ref	Class	Part	Description	Qty	Comment	Footnote
1		14360A66	FUEL PUMP ASSEMBLY	1		
2	21	857005A	DIAPHRAGM KIT	2		2,7
3		NSS	Not Sold Separate, Diaphragm	1		2,7
4		NSS	Not Sold Separate, Check Valv	2		2,7
5		NSS	Not Sold Separate, Retainer	2		2,7
6		NSS	Not Sold Separate, Spring	1		2,7
7		NSS	Not Sold Separate, Cap	1		2,7
8		NSS	Not Sold Separate, Spring	1		2,7
9		NSS	Not Sold Separate, Cap	1		2,7
10		NSS	Not Sold Separate, Diaphragm	1		2,7
11	27	98769	GASKET	1		2,5,7
12		NSS	Not Sold Separate, Gasket-Boo	1		2,7
13		NSS	Not Sold Separate, Gasket-Puls	1		2,7
14		98775	PLATE	2		
15	22	99664	ELBOW	2		5
16	10	821045	SCREW, (M5 x 40), Fuel Pump	2		
16	10	821300	SCREW, (M6 x 50), Pump to Crar	2		
17		14430	BASE	3		
18	22	78279	ELBOW (45 DEGREES)	1		
19	22	29111	FITTING	2		
20	32	830757130	TUBING, (70.00 Inches Bulk) (Cut t	1		
21	54	816311	CABLE TIE, (8.00 Inch)	5		
22	32	856822A	TUBING (w/INSULATING SLEEVI	1		
23	32	856822A	HOSE AND SLEEVE ASSEMBLY,	1		
24	22	822769	CONNECTOR	1		
25	54	856880	CLAMP, (15.3)	1		
-	27	814754A98	GASKET SET	1		
-		804545T99	POWERHEAD	1	SN# 0G886267 & Up	
-		854008T99	POWERHEAD	1	SN# 0G886266 & Below	